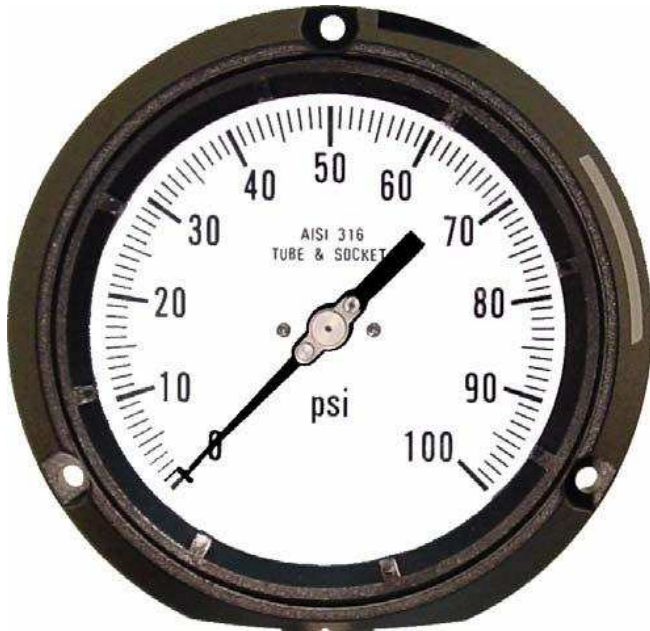




**KODIAK  
CONTROLS  
INCORPORATED**

# 4502 BACK CONNECT PROCESS



## STANDARD SPECIFICATIONS:

**DIAL:** 4 1/2" Diameter

**CASE:** Phenolic-Solid Front /Blow-Out Back

**LENS:** Plastic

**POINTER:** Knife Edge Micro-Adjustable

**BOURDON TUBE:** 316 Stainless Steel

**SOCKET :** 316 Stainless Steel

**MOVEMENT:** 304SS Heavy Duty Bushed

**ACCURACY:** 0.5 % Full Scale

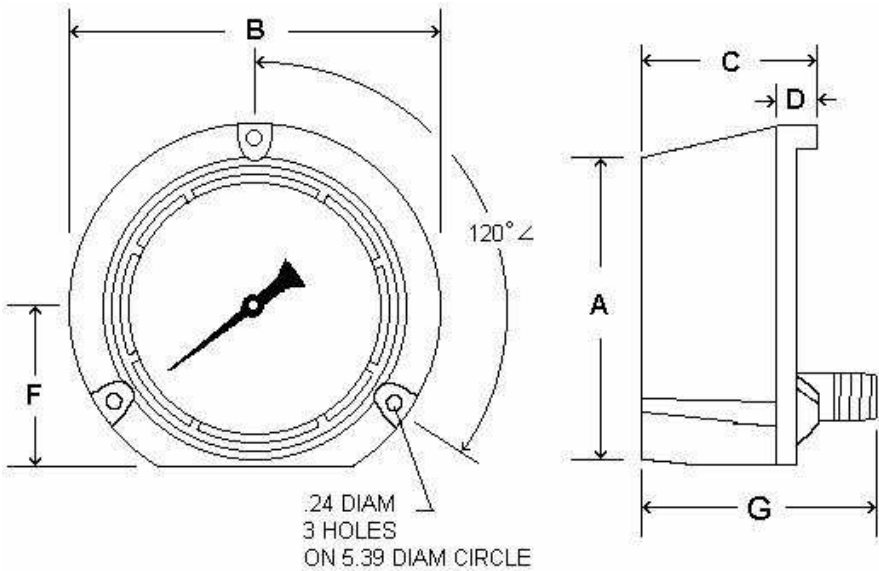
## STANDARD FEATURES

\*Overload and Underload Stops

\*Knife Blade Pointer for Precision Reading

\*Hermetically Sealed / Weather Proof

\*Liquid Fillable / No Kit Required



|      | A    | B    | C    | D    | F    | G    | NPT     |
|------|------|------|------|------|------|------|---------|
| INCH | 5.08 | 5.84 | 3.44 | 1.10 | 2.54 | 4.27 | 1/2" or |
| MM   | 129  | 148  | 87   | 28   | 65   | 108  | 1/4"    |

| RANGE        | FIGURES       | MINOR        |
|--------------|---------------|--------------|
| 30"-0 hg vac | 5"            | 0.2"         |
| 30"-0-15     | 10" & 5 psi   | 1" & 0.5 psi |
| 30"-0-30     | 10" & 5 psi   | 1" & 0.5 psi |
| 30"-0-60     | 10" & 10 psi  | 2" & 1 psi   |
| 30"-0-100    | 10" & 20 psi  | 2" & 1 psi   |
| 30"-0-150    | 10" & 30 psi  | 5" & 2 psi   |
| 30"-0-200    | 10" & 50 psi  | 5" & 2 psi   |
| 30"-0-300    | 10" & 50 psi  | 10" & 5 psi  |
| 30"-0-600    | 10" & 100 psi | 10" & 10 psi |
| 0-15 psi     | 3 psi         | 0.2 psi      |
| 0-30 psi     | 5 psi         | 0.2 psi      |
| 0-60 psi     | 5 psi         | 0.5 psi      |
| 0-100 psi    | 10 psi        | 1 psi        |
| 0-160 psi    | 20 psi        | 1 psi        |
| 0-200 psi    | 20 psi        | 2 psi        |
| 0-300 psi    | 50 psi        | 2 psi        |
| 0-400 psi    | 50 psi        | 2 psi        |
| 0-600 psi    | 50 psi        | 5 psi        |
| 0-800 psi    | 100 psi       | 5 psi        |
| 0-1000 psi   | 100 psi       | 10 psi       |
| 0-1500 psi   | 250 psi       | 10 psi       |
| 0-2000 psi   | 200 psi       | 20 psi       |
| 0-3000 psi   | 500 psi       | 20 psi       |
| 0-5000 psi   | 1,000 psi     | 50 psi       |
| 0-10,000 psi | 1,000 psi     | 100 psi      |
| 0-15,000 psi | 2,500 psi     | 100 psi      |
| 0-20,000 psi | 2,000 psi     | 200 psi      |